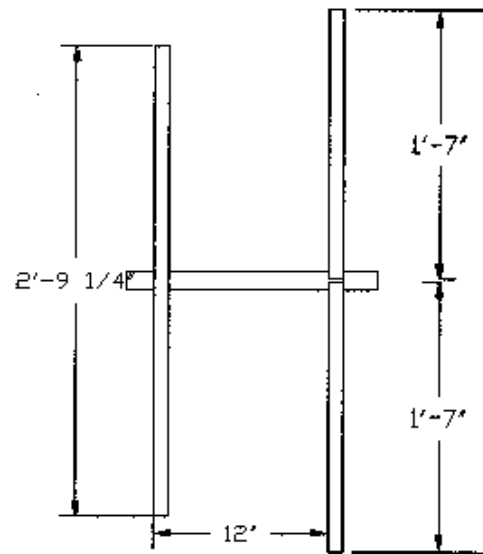
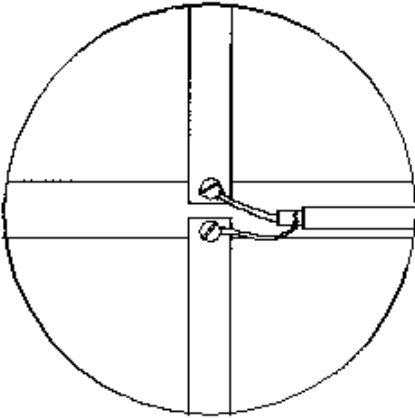
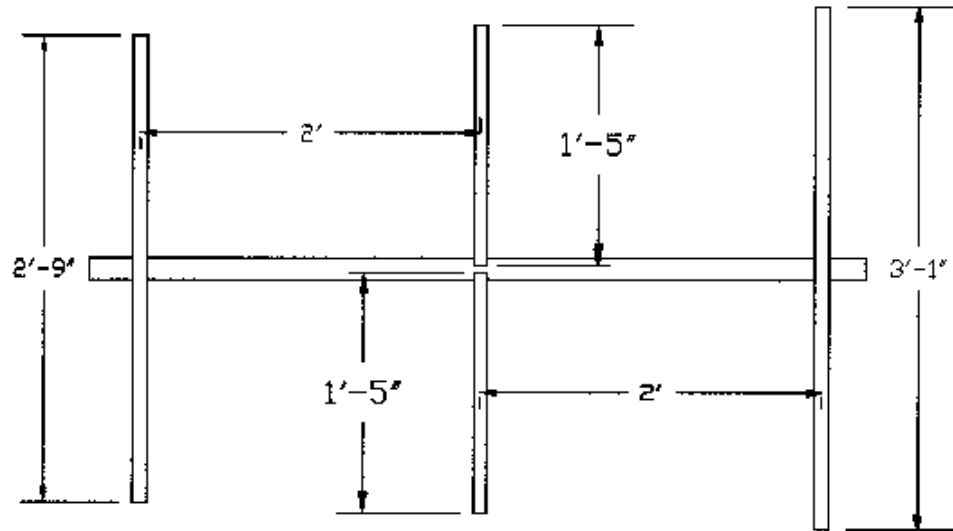


COAX CONNECTION BOTH BEAMS



DRIVEN ELEMENTS MUST BE INSULATED FROM METAL BOOM



FOR 2 ELEMENT BEAM ONLY

3/4" TUBING, DIRECTOR IS 33 3/4"
 1/2" TUBING, DIRECTOR IS 34 1/2"
 1/4" TUBING, DIRECTOR IS 35 1/2"
 1/4" TUBING, DRIVEN ELEMENT IS 19 3/8" EACH SIDE
 ALL OTHER DIMENSIONS STAY THE SAME.

DIRECT CONNECT BEAM

2 ELEMENT BEAM

3 ELEMENT BEAM

12/29/99

Drawn by N4ENQ